



Automatic Curved  
Sliding Doors

**DORMA**

**BST/FBST **  
**SPECIAL LINE**

## Attractive appearance, extensive design options

DORMA BST SPECIAL LINE automatic curved sliding doors are the perfect answer to providing entrance areas with a customised and aesthetically pleasing appearance. Half-circles, full circles, ovals, segments, double segments, convex, concave, made-to-measure and versions deriving from these variants: anything is possible.

The door systems are manufactured as concave and convex versions. Tailored to your architectural concept, DORMA BST SPECIAL LINE automatic curved sliding doors can be designed to either contrast or harmonise with the building façade,

providing an all-glass appearance complemented and augmented by the slender profiles of their fine-framing.

DORMA BST SPECIAL LINE automatic curved sliding doors will perform draught exclusion and airlock functions, steer people in the right direction and give width and depth to even cramped structural openings.

They can also be combined with other automatic doors.

## Reliable and safe

As in the case of all components and systems from the DORMA portfolio, DORMA BST SPECIAL LINE curved sliding doors excel in reliability and user convenience. The self-learning microprocessor control unit keeps the system running smoothly and reliably. Combining with the integrated presence sensor, it also ensures maximum operational safety.

The doors are designed to order, manufactured to fit and supplied ready for installation. If required, DORMA will also perform the installation and commissioning work.

## For emergency exits and escape routes

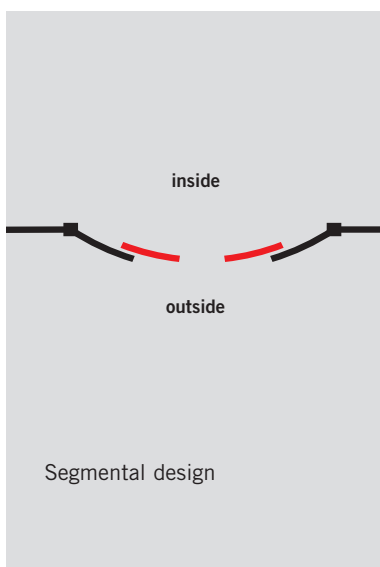
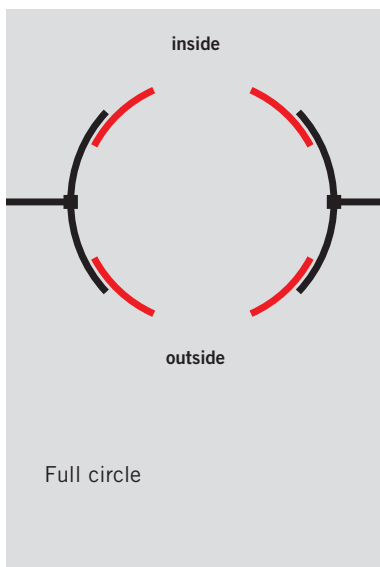
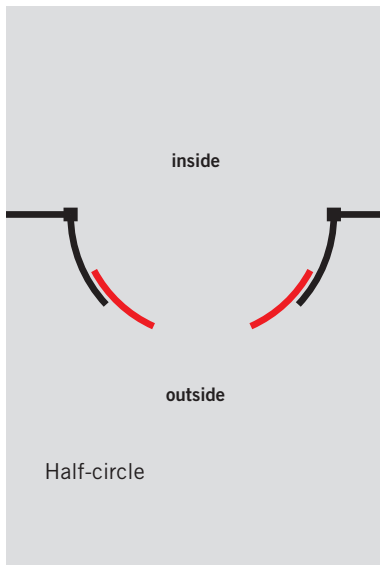
Under the designation DORMA FBST SPECIAL LINE, these curved sliding doors can also be supplied with a redundant operator, an additional control unit for safety purposes and a special radar motion detector. The FBST is typed-approved by the German TÜV as an "automatic sliding door without breakout for use in escape routes". If desired, the doors can be equipped with safety components (sensors) in accordance with DIN 18650.



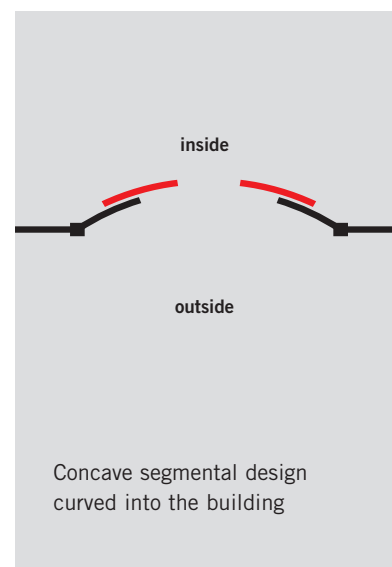
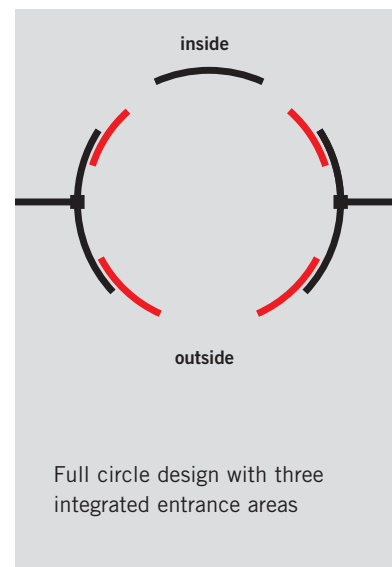
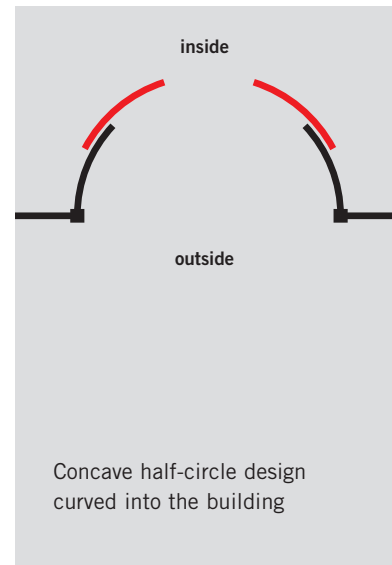
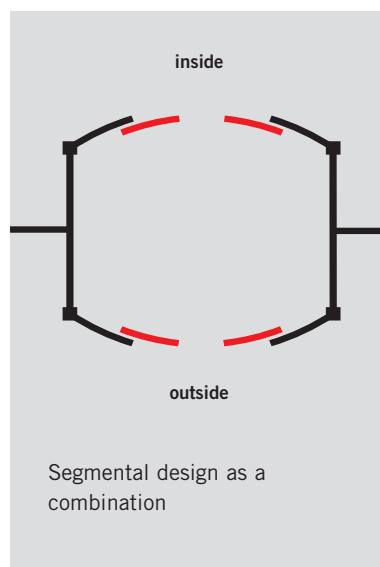
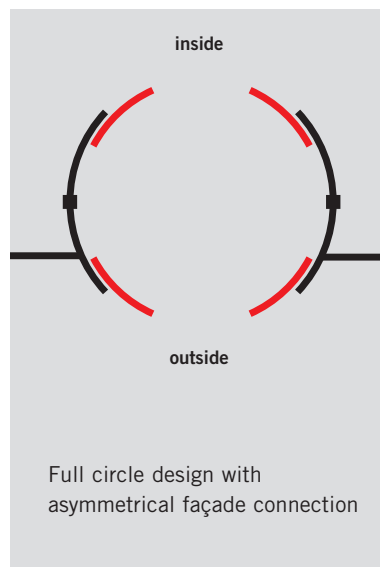
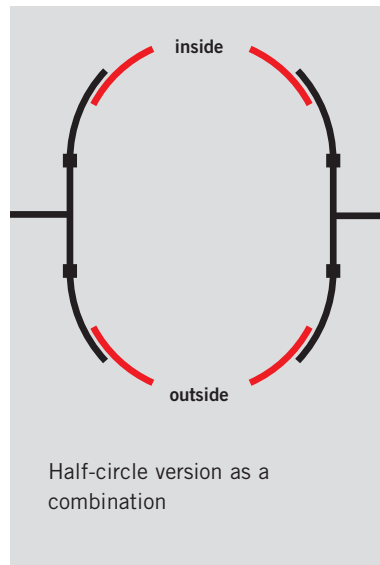
**DORMA FBST with approval for application in emergency exits and escape routes according to DIN 18650**



## Basic configurations



## Layout options



<b>Data and features</b>	<b>DORMA BST</b>	<b>DORMA FBST</b>
Clear passage width LW <sup>2)</sup>	1000 – 2500 mm <sup>1)3)</sup>	
Escape route width F	–	1000 – 2500 mm <sup>1)3)</sup>
Installation width B, min. <sup>2)</sup>	2064 mm	
Passage height H	2100 – 2500 mm <sup>1)</sup>	
Half-circle radius r	1000 – 2000 mm <sup>1)</sup>	
Full circle radius r	1000 – 2000 mm <sup>1)</sup>	
Segmental radius r	freely selectable, min. 1000 mm	
Number of sliding panels	1 <sup>3)</sup> or 2	
2-panel, symmetrical	●	
1-panel	○	
Asymmetrical	○	
Fixed side screens	●	
Canopy height (min.)	240 mm	
Canopy height extension (240 – 1000 mm) <sup>1)</sup>	○	
Sliding panel, convex	●	
Sliding panel, concave	○	
Max. weight per door panel	130 kg	110 kg

<sup>1)</sup> Standard dimensions (other dimensions on request)

<sup>2)</sup> Depending on radius r

<sup>3)</sup> max. clear passage width (LW) for 1-panel door = 1300 mm

<b>Technical data</b>	<b>DORMA BST</b>	<b>DORMA FBST</b>
Power consumption, max.	250 W	
Power consumption, average	30 W	
Supply voltage/frequency	230 V 50 – 60 Hz	
External power supply	27 V DC 2 A	
TÜV type-approved	●	
Compliant with the Low Voltage Directive	●	
Manufactured to ISO 9001	●	

<b>Adjustable parameters</b>	<b>DORMA BST</b>	<b>DORMA FBST</b>
Opening speed per panel, adjustable	100 – 600 mm/sec.	
Closing speed per panel, adjustable	100 – 500 mm/sec.	
Low (creep) speed per panel, adjustable	30 – 90 mm/sec.	
Opening and closing force, adjustable	●	
Max. force on contact with obstacle	150 N	

Operator and control unit	BST	FBST
Operator	ES 200	ES 200 2D
Microprocessor control unit	●	
Integrated presence sensor	○	
Equipped in accordance with DIN 18650	○	
Obstruction self-recognition	●	
Automatic reversing cycle on obstruction contact	●	
Complete system self-test	●	
Connection for airlock function	●	-
Parameter adjustment capable	●	
Self-learning	●	
Class of protection		IP 20
Pulse expansion for cheque and code card readers or key switches	●	
Potential-free contact	●	
Bus-capable	●	
Door status contact, locking device for door system	○	
Module for connection to EIB building management systems	○	
RSM module for connection to telephone network	○	

Program modes	BST	FBST
Off		●
Automatic		●
Exit Only		●
Permanent Open		●
Partial Open, Exit Only		●
Night-/Bank Function		●

Design of ceiling	180°/360°	Segment
Ceiling	●	○
Operator cover	○	●
Upper dust-proof ceiling	●	●
Rain-proof ceiling with drainage spouts (prepared)	○	-

● standard  
○ optional

Profiles and glazing	BST	FBST
Fine-frame profile system with 10 mm toughened safety glass - G		●
Fine-frame profile system with 10 mm laminated safety glass - G		○
Double glazing profile system with 18 mm double-glazing - Iso		○
Special glazing with patterning, sand-blast effect, screen printing etc.		○

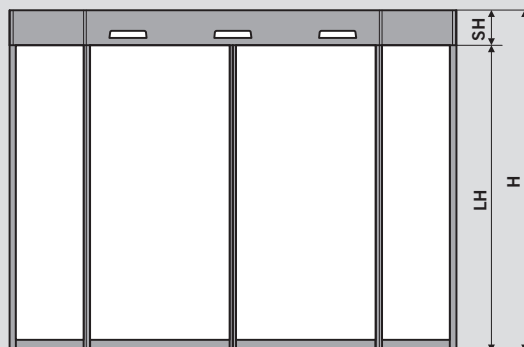
Accessories	BST	FBST
Curved fanlight		○
Straight panel board for top façade connection		○
Lateral façade connection glass/panel board		○
Aluminium girder with aluminium cover, external		●
Aluminium girder		●
Adhesive-bonded midrails		○
Air curtain (180 and 360° design, canopy extension required)		○
Downlights		
Ceiling aperture for downlights by others		○
Halogen spot, 20 W, including ceiling aperture and accessories		○
Floor finish		
Emco floor mat		○
Arwei floor mat		○
Floor guide rail		
Surface-mounted floor guide without floor ring		●
Surface-mounted floor guide with floor ring		○
Flush-mounted floor guide with floor ring (Compulsory for clear passage widths (LW) beyond 1500 mm)		○

Accessories/Safety equipment	BST	FBST
Locking device		
Electro-mechanical locking device	○	-
Electro-mechanical locking device with manual lock release	○	○
Fail-safe via emergency power supply unit	○	●
Monitored rechargeable battery pack	○	●
Intrinsically safe activator in escape direction	-	●
Radar motion detector, external		○
Radar motion detector, internal		○
Emergency pushbuttons		
Emergency Off function	○	-
Emergency Opening function	-	○

## Half-circle and full-circle configurations

### Standard dimensions

Clear passage width	<b>LW</b>
Actual radius	<b>r</b>
Internal width	<b>S</b>
System width	<b>B</b>
Clear passage height	<b>LH</b>
Canopy height	<b>SH</b>
System height	<b>H</b>
Dimensions in mm	



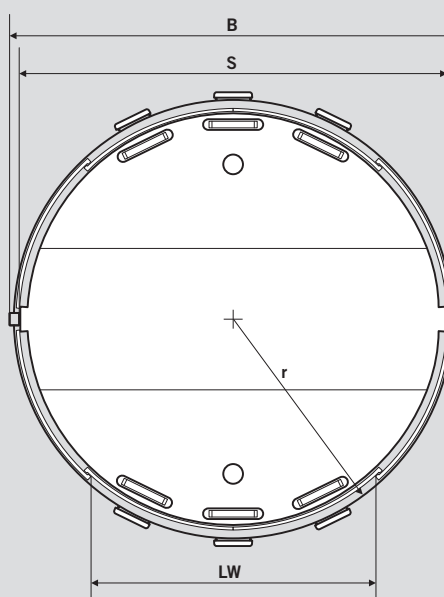
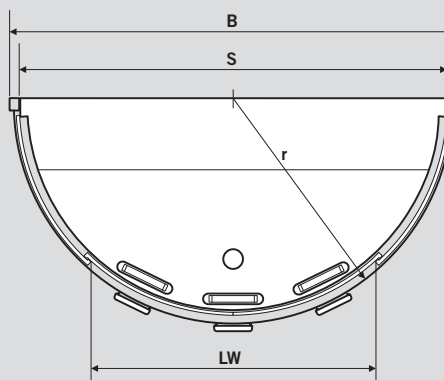
### Half-circle and full-circle configurations

#### Fine-frame profile system G

r	1000	1100	1200	1300	1400	1500	1600	1700	1800	1900	2000
B	2064	2264	2464	2664	2864	3064	3264	3464	3664	3864	4064
S	1932	2132	2332	2532	2732	2932	3132	3332	3532	3732	3932
LW	1221	1363	1504	1646	1788	1929	2071	2212	2354	2495	2500

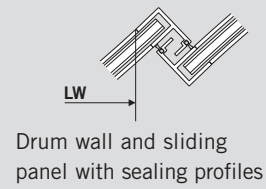
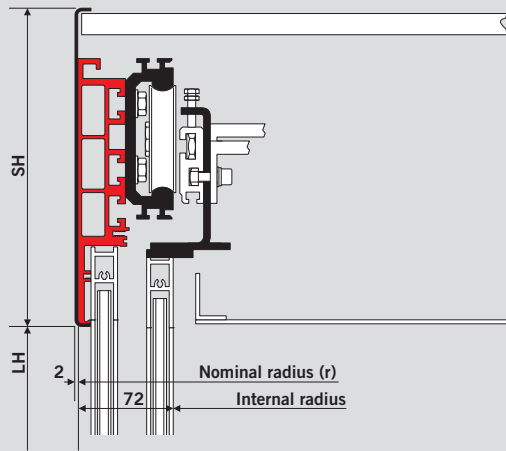
#### Double-glazing profile system Iso

r	1000	1100	1200	1300	1400	1500	1600	1700	1800	1900	2000
B	2044	2244	2444	2644	2844	3044	3244	3444	3644	3844	4044
S	1912	2112	2312	2512	2712	2912	3112	3312	3512	3712	3912
LW	1184	1326	1468	1609	1751	1893	2034	2176	2317	2459	2500

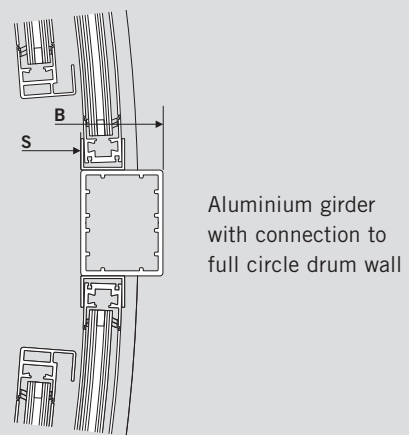
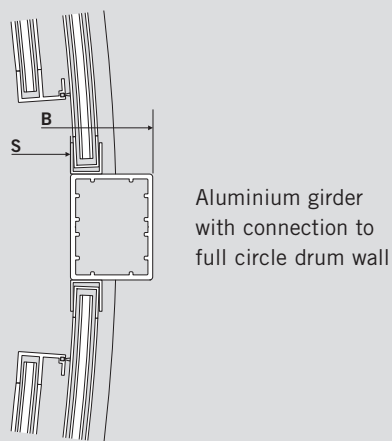
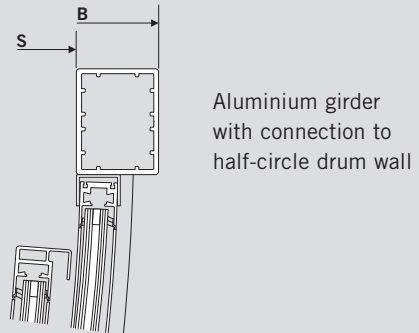
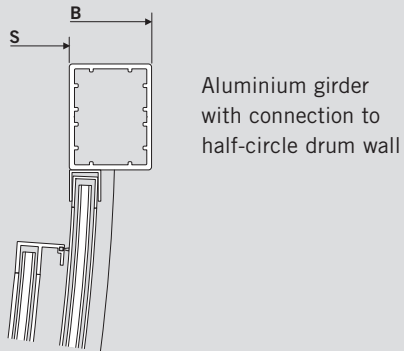
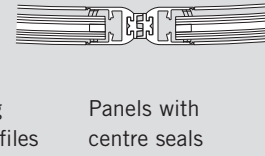
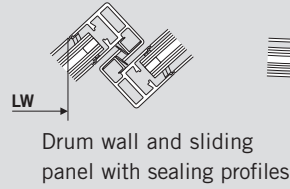
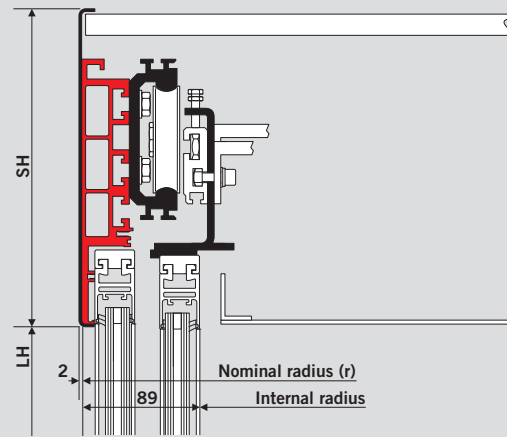


DORMA FBST with approval  
for application in emergency  
exits and escape routes  
according to DIN 18650

**Fine-frame profile system G**



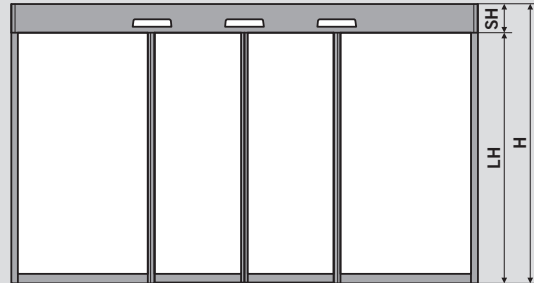
**Double-glazing profile system Iso**



## Segmental designs

### Standard dimensions

Clear passage width	<b>LW</b>
Actual radius	<b>r</b>
Internal width	<b>S</b>
System width	<b>B</b>
Arc length	<b>BL</b>
Clear passage height	<b>LH</b>
Canopy height	<b>SH</b>
System height	<b>H</b>
Dimensions in mm	



### Standard dimensions:

Arc length BL: max. 6600 mm

Clear passage width LW: 1000 mm – 2500 mm

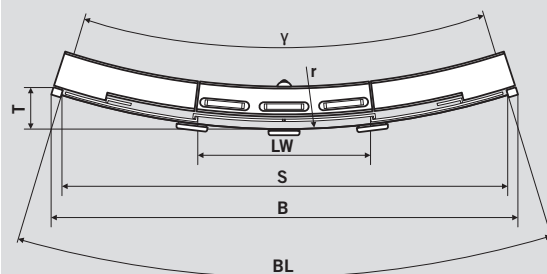
### Calculating arc length BL

– For a given radius r and angle  $\gamma$

$$BL = r \cdot \frac{\gamma \cdot \pi}{180}$$

– For a given system depth T and system width B

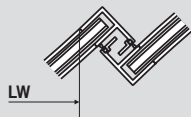
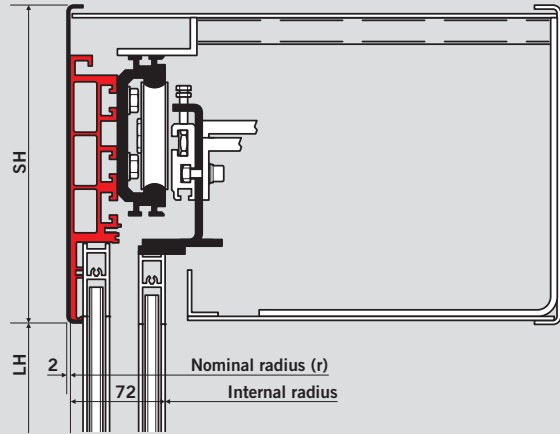
$$BL = \sqrt{B^2 + \frac{16}{3} \cdot T^2}$$



DORMA FBST with approval  
for application in emergency  
exits and escape routes  
according to DIN 18650



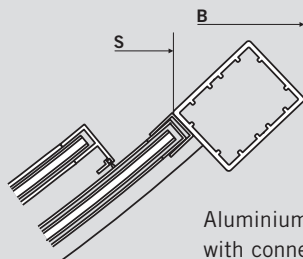
Fine-frame profile system G



Drum wall and sliding panel with sealing profiles

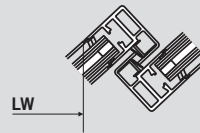
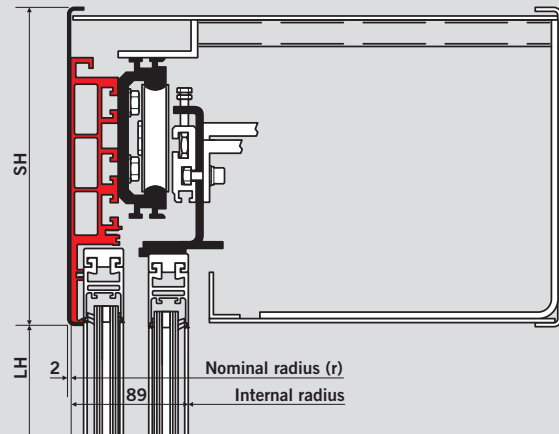


Panels with centre seals



Aluminium girder with connection to drum wall

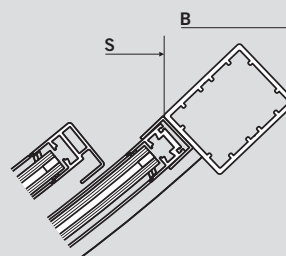
Double-glazing profile system Iso



Drum wall and sliding panel with sealing profiles



Panels with centre seals



Aluminium girder with connection to drum wall

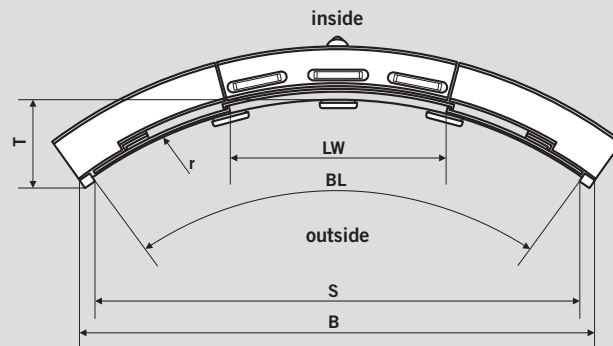
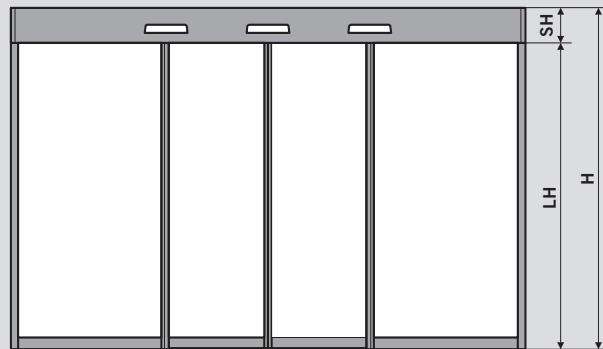
## Examples for special configurations

### Concave segment

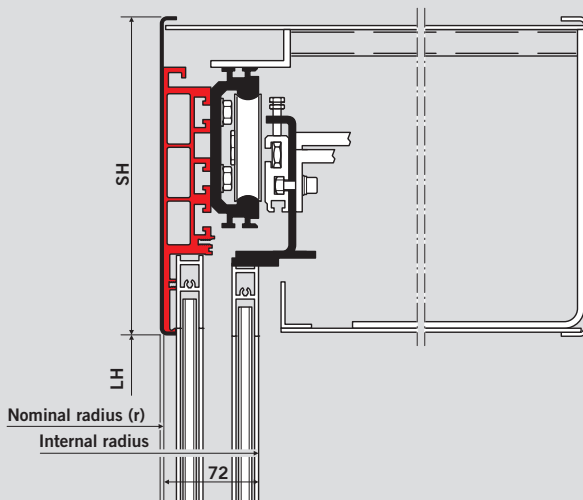
**Standard dimensions:**

Arc length **BL**:  
 max. 6600 mm

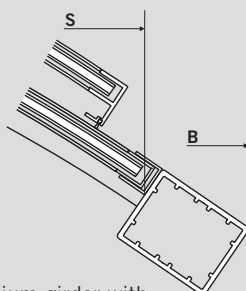
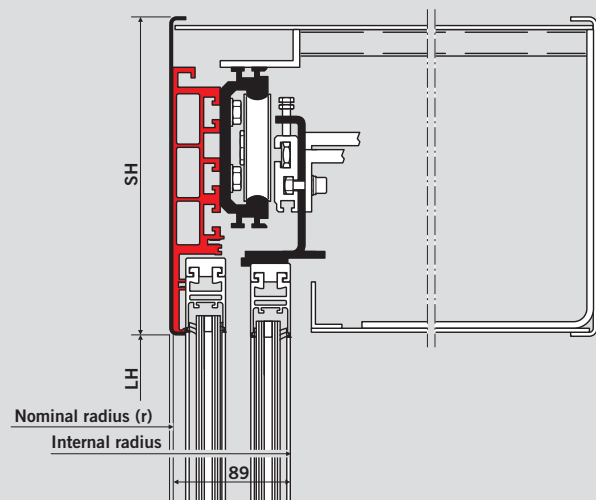
Clear passage width **LW**:  
 1000 – 2500 mm



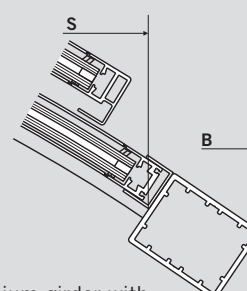
### Fine-frame profile system G



### Double-glazing profile system Iso

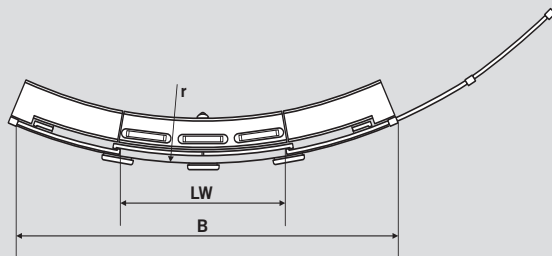
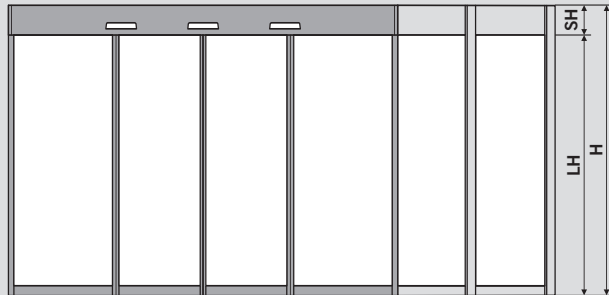


Aluminium girder with connection to drum wall

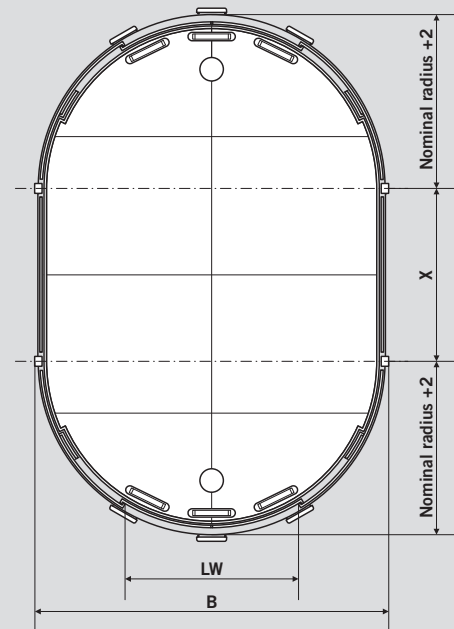
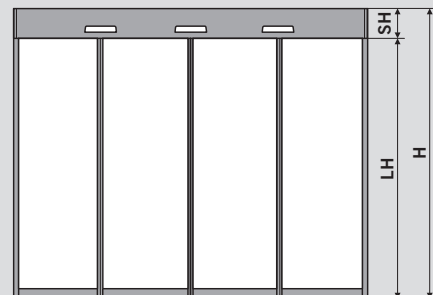


Aluminium girder with connection to drum wall

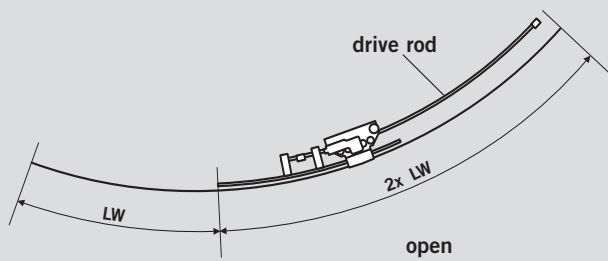
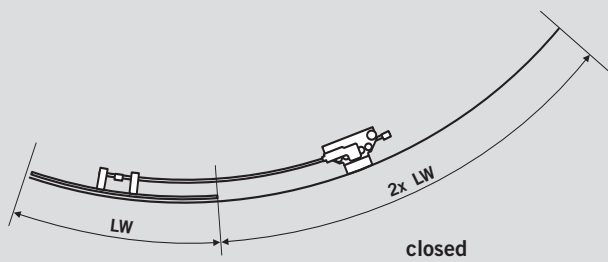
### Asymmetrical door system



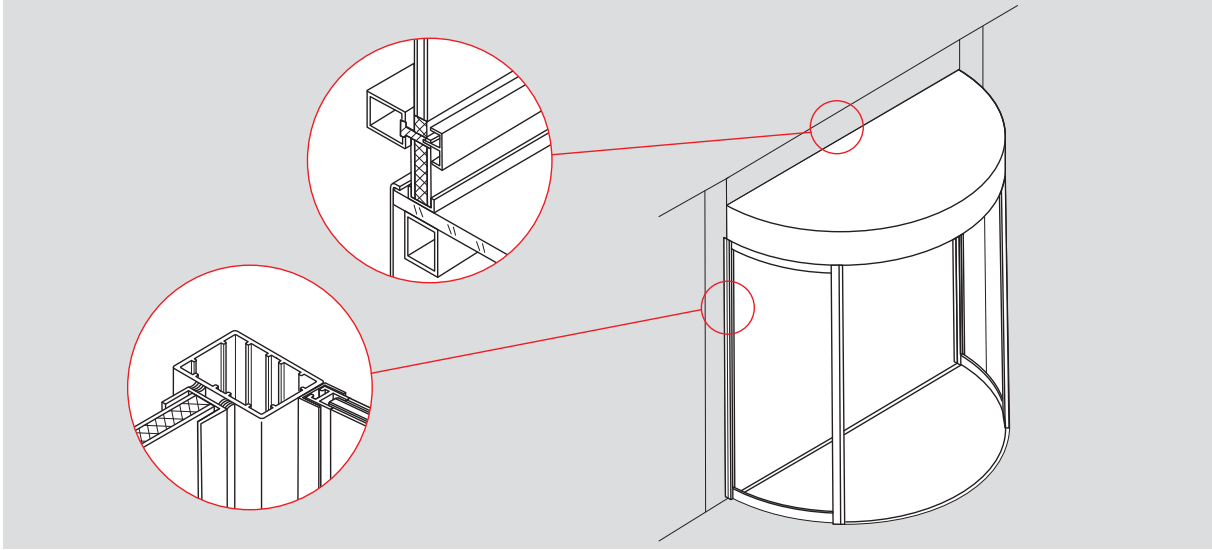
### Half-circle as a combination



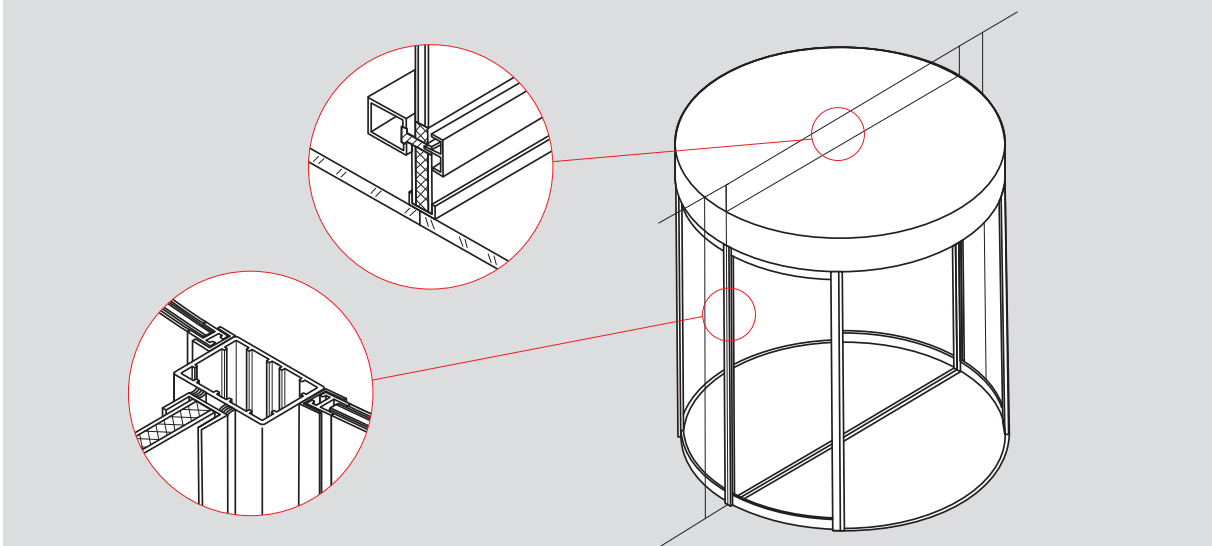
### 1-panel system



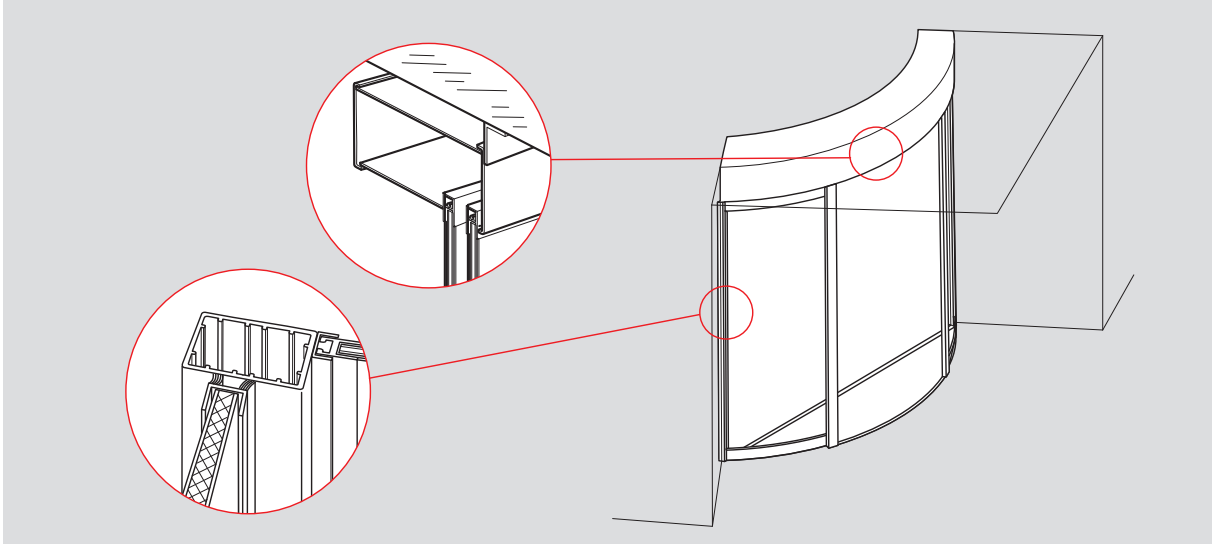
Façade connection 180°



Façade connection 360°

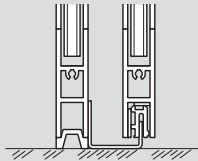


Façade connection with segmental design

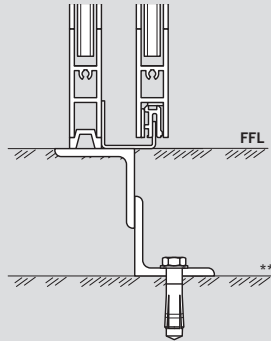


**Floor guides**

Surface-mounted floor guide without floor ring



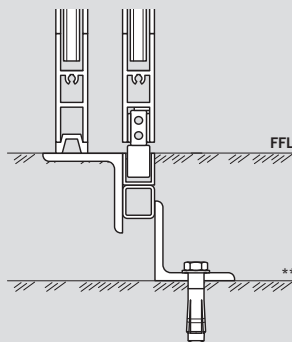
Surface-mounted floor guide with floor ring



The design of the floor guide depends on the opening width\* and the prevailing on-site conditions and comprises

- surface-mounted floor guides with/without floor ring
- flush-mounted floor guides with floor ring.

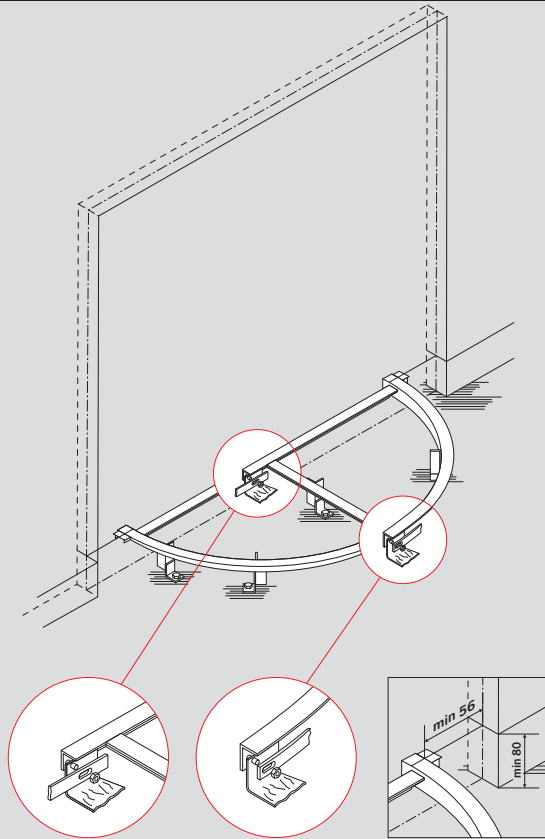
Flush-mounted floor guide with floor ring



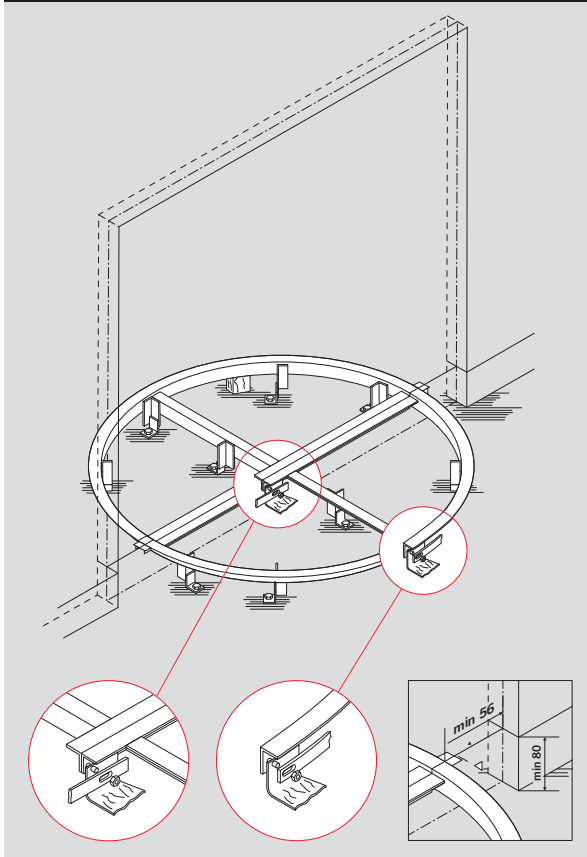
\*Starting from a clear opening width of 1500 mm, a flush-mounted floor guide is required.

\*\*upper edge of unfinished floor

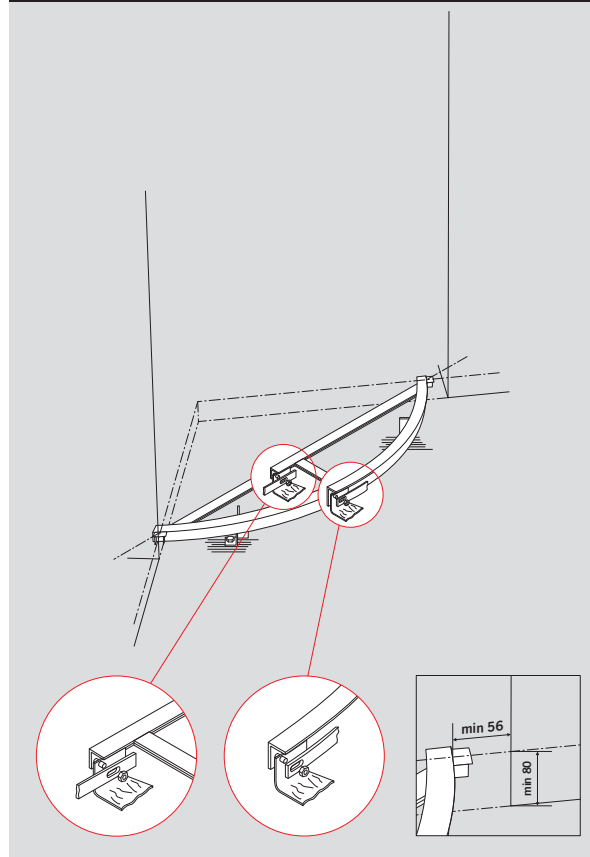
**Floor ring half-circle design**

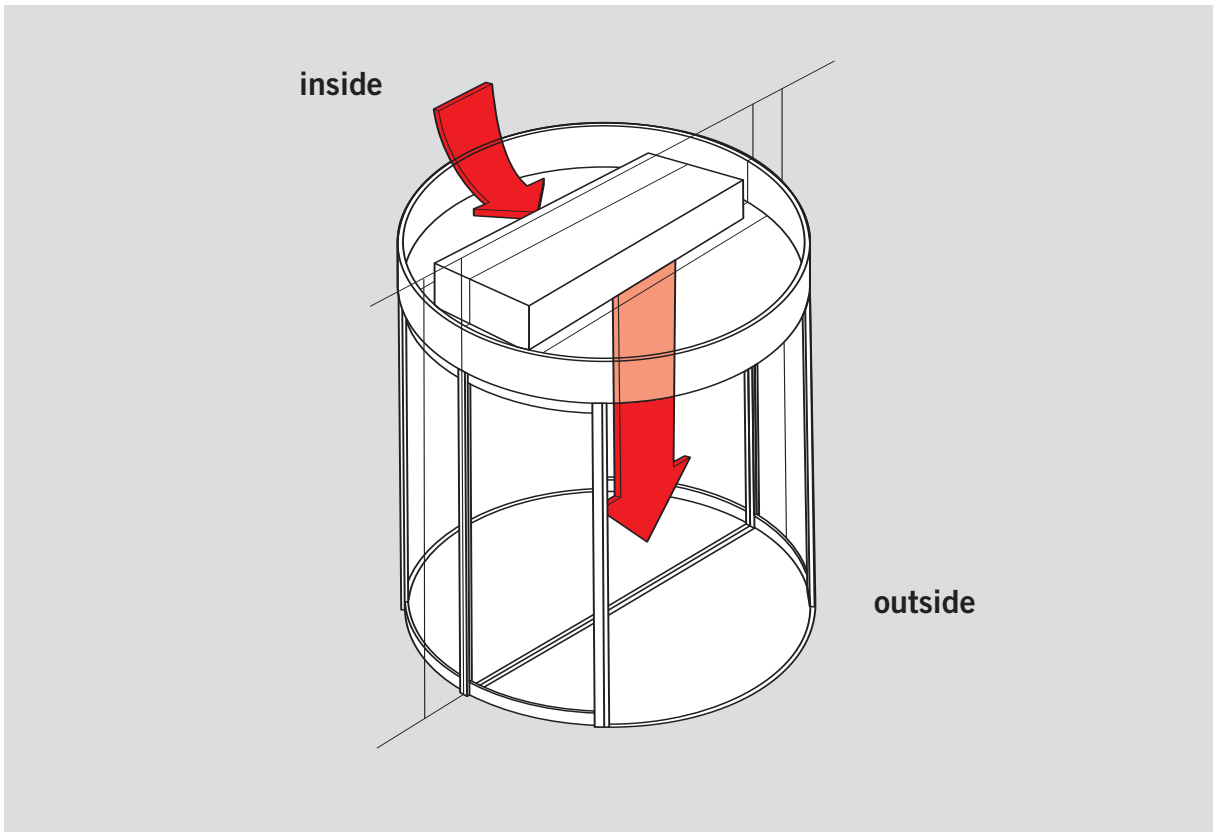


**Floor ring with full circle design**

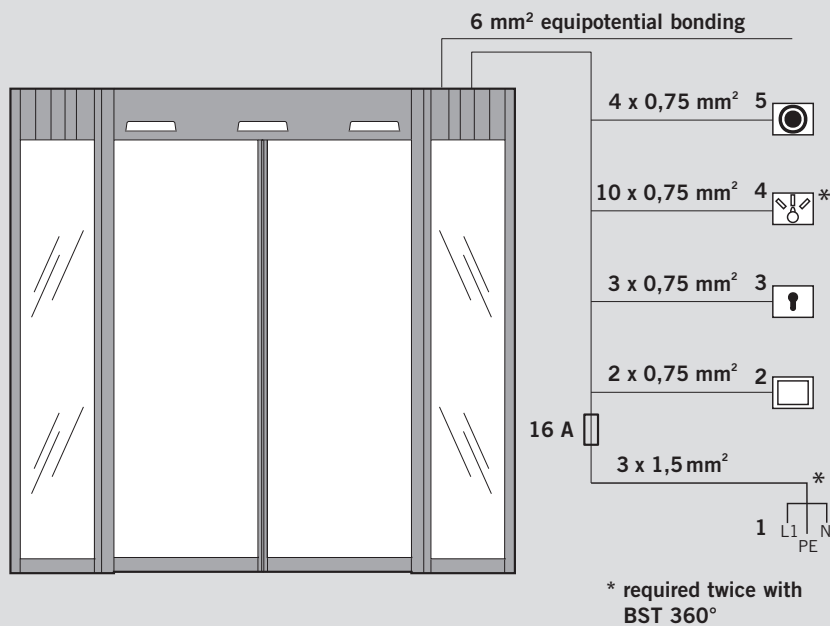


**Floor ring segmental design**





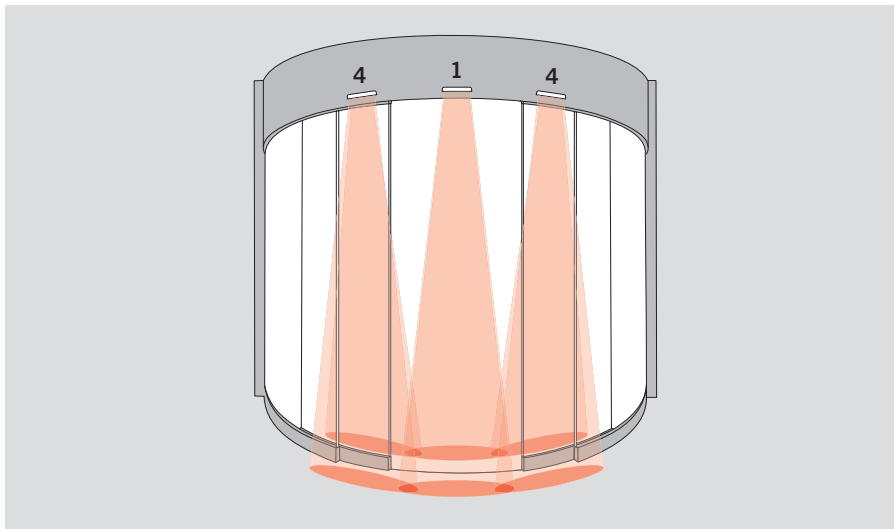
Connection diagram



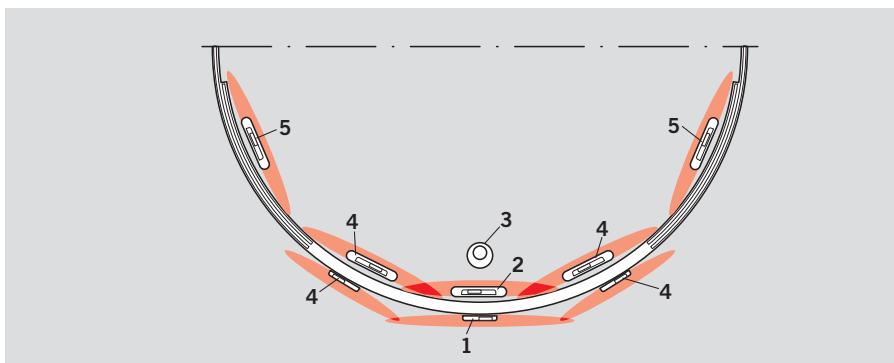
- 1 Feeder
- 2 Internal pushbutton
- 3 Key switch
- 4 Program switch
- 5 Emergency pushbutton (Emergency Off function or Emergency Opening function respectively)

The external Emergency Off pushbutton must be installed close to the door. The maximum cable length amounts to 30 m. The cable can be laid together with the cable for the program switch. The maximum length of the cable connecting the external program switch is 30 m. If the cable is laid with other cables, it must be provided with a shield.

Safety equipment



- 1 External radar motion detector/combined sensor, external (compulsory with DIN 18650)
- 2 Integrated infrared safety sensor to monitor the passage area
- 3 Internal radar motion detector
- 4 Infrared safety sensor (optional, compulsory with DIN 18650)
- 5 Infrared safety sensor to monitor the secondary closing edges (optional)



## Program switch

When combining the system with a program switch out of the DORMA accessory range, the automatic door system even meets individual requirements and offers easy handling.

These program switches are available in various designs have been conceived for all kinds of demands.

Furthermore they offer various options, from a mechanical to a full-electronic version alternatively also lockable via Euro profile half-cylinder or in a full-electronic way via code.

- Up to 5 different functions: Off, Automatic, Exit Only, Partial Open, Permanent Open
- Electronic program switches in System 55 design to cope with the highest aesthetic demands



### Program switches for sliding door operators

Designation	Specification	Installation system	Order No.
<b>PG-S2</b>	5-position, lockable, aluminium, white, flush-mounting, 80 x 80 x 40 mm	Gira S-Color	19135602150
<b>EPS-S</b>	Full-electronic program switch in System 55 design, 5-position, lockable via code or additional key switch TL-ST S55, membrane keypad, aluminium-coloured, white, flush-mounting, 80 x 80 mm	System 55	16556901150

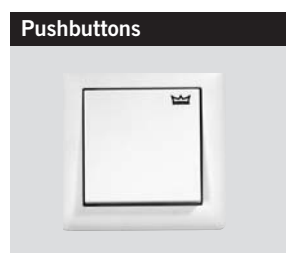


### Program switches for sliding door operators in emergency exits and escape routes (FST)

Designation	Specification	Installation system	Order No.
<b>PG-FST1</b>	5-position, lockable, aluminium, white, flush-mounting, 80 x 80 mm	Gira S-Color	19135603150
<b>PG-FST2</b>	5-position, lockable via Euro profile half-cylinder, white, aluminium, flush-mounting, 105 x 80 x 65 mm	Deutsche Solenoid	19142001170
	box for surface-mounting:		19142201170
<b>EPS-FST</b>	Full-electronic program switch in System 55 design, 5-position, lockable via code or additional key switch TL-ST S55, membrane keypad, white, aluminium-coloured, flush-mounting, 80 x 80 mm	System 55	16556801150



## Pushbuttons



### Pushbuttons

Designation	Specification	Installation system	Order No.
Pushbutton	Single-pole changeover contact, standard frame, white, flush-mounting	System 55	19144701170



### Key switch

Designation	Specification	Order No.
KT 3-1	1 NO contact, with Euro profile half-cylinder (can be replaced by any half-cylinder of a master-key system), you can only withdraw the key when it is in zero position, aluminium, metal, 75 x 75 x 60 mm	
KT 3-1	flush-mounting	05054531332
KT 3-1	surface-mounting	05054631332
KT 8	Lettering "Auf, Zu", 2 NO contacts, with Euro profile half-cylinder can be replaced by any half-cylinder of a master-key system), you can only withdraw the key when it is in zero position, aluminium, metal, 75 x 75 x 60 mm	
KT 8	flush-mounting	05054831332
KT 8	surface-mounting	05054931332

## Emergency pushbutton





Designation	Specification	Installation system	Order No.
NAT 1	To interrupt the automatic movement of the door. Emergency pushbutton (Function: Emergency Off) for automatic door operators. Manufactured according to ZH 1/494 (German Guidelines for power-operated windows, doors and gates) and BGR 232 (German Employer's Liability Insurance Association Rule) as well as DIN 18650 (German Industrial Standard). Red knob with yellow centre insert. Maximum load current: max. 10 A at 230 V AC. NO contact: 1, NC contact: 1, white frame, flush-mounting, 80 x 80 mm	System 55	90400025
NAT 2*	Function: "Emergency Open" with green knob, NO contact: 1, NC contact: 1, Maximum load current: 10 A at 230 V AC, white frame, flush-mounting, 80 x 80 mm	System 55	90400035

\*no illustration

## Active infrared safety sensor

Active infrared system to protect the passage area and the secondary closing edges

of sliding doors. To detect the presence of people and objects.



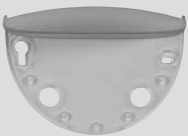
Active infrared safety sensor	Designation	Specification	Order No.
 <p>AIR 30/31 AIR 30-H/31</p>	AIR 30/31	Including background evaluation, black	16503601170
	AIR 30-H/31	Including background suppression, black	16503701170
	IRIS ON	black	

## Radar motion detectors

The user-friendliness of automatic doors depends a lot on what kind of activator is used and its construction.

The DORMA sensor range combines the flexibility that is required for the different fields of application with reliability and the highest level of user friendliness.

Furthermore it effectively detects moving people or objects in order to activate (open) automatic doors.

Radar motion detectors	Designation	Specification	Order No.
 <p>Eagle</p>	<b>Standard motion detectors</b>		
	Eagle 2	Standard, black	16503201170
 <p>System for ceiling installation Eagle</p>	<b>Motion detectors with direction recognition</b> Direction recognition for perfectly controlled opening and closing cycles.		
	Eagle 1	Direction recognition, black	16503101170
 <p>Rain protection cover Eagle</p>	<b>Self-monitoring motion detector</b> <b>(FST application – for doors with application in emergency exits and escape routes)</b> Radar motion detector for doors in emergency exits and escape routes with self-monitoring function and electronic systems in redundant design.		
	Eagle 3-N	Self-monitoring, direction recognition, black	16551601170
<b>Accessories for Eagle detectors</b>			
	System for ceiling installation, white		16502901170
	Rain protection cover, transparent		05090731332

## Combined sensors

To activate (open) and protect automatic sliding doors. This system is designed to substitute light barriers with the aid of an integrated

active infrared function. This combined sensor opens sliding doors via radar and protects the main and secondary closing edges

with the aid of an active infrared system.



Designation	Specification
<b>Activ8 One on</b>	Direction recognition, black
<b>Activ8 Three on</b>	Direction recognition, self-monitoring, suitable for application on FST doors (fire and smoke doors), black



DORMA BST in segmental design

## Automatic Division worldwide

**DORMA GmbH + Co. KG**  
 Breckerfelder Str. 42-48  
 D-58256 Ennepetal  
 Phone +49 23 33/793-0  
 Fax +49 23 33/793-495

### Region Australia

AUS, NZ  
 Australia  
 DORMA Automatics Pty. Ltd.  
 Phone +61 3 97964111  
 www.dorma.com.au

New Zealand  
 DORMA Automatics Pty. Ltd.  
 Phone +61 3 97964111  
 www.dorma.com.au

### Region Central Europe

D, NL, B, LX, CH  
 Germany  
 Automatic D  
 Phone +49 2333 793-0  
 www.dorma.de

Netherlands  
 DORMA van Duin Nederland BV  
 Phone +31 488 418 100  
 www.dorma.nl

Belgium  
 DORMA foquin N.V./S.A.  
 Phone +32 50 312849  
 www.dorma.be

Luxembourg  
 Luxembourg Subsidiary Automatic  
 Phone +49 2333 793-216  
 www.dorma.de

Switzerland  
 DORMA Schweiz AG  
 Phone +41 71 8864646  
 www.dorma.ch

### Region Emerging Markets

P, RUS, UA, BG, GR, TR, IND, IL, RSA  
 Poland  
 DORMA Polska Sp. z o.o.  
 Phone +48 22 736-59-00  
 www.dorma.pl

Russia  
 Representative Office in Russia  
 Phone +7 095 2581225  
 www.dorma.com

Ukraine  
 DORMA Representation Ukraine  
 Phone +380 44 2443897  
 www.dorma.com

Bulgaria  
 DORMA Bulgaria  
 Phone +359 2 9714 904  
 www.dorma.com

Greece  
 DORMA Representation Greece  
 Phone: +30 21 09944388  
 www.dorma.com

Turkey  
 DORMA Kapi Kontrolleri Ltd. Sti  
 Phone: +90 216 3600056  
 www.dorma.com

India  
 DORMA Door Controls India  
 Phone +91 442 8585097  
 www.dorma.com

Israel  
 DORMA GmbH + Co. KG  
 Phone +49 2333 793-0  
 www.dorma.com

South Africa  
 DORMA Door Controls (Pty.) Ltd  
 Phone +27 11 8300280  
 www.dorma.com

### Region Far East

SGP, HK, VRC, RC, MAL, RI, RP, ROK, VN, J  
 Singapore  
 DORMA Far East Pte. Ltd.  
 No. 31 Gul Lane  
 Phone +65 62 68 76 33  
 www.dorma.com.sg

Hong Kong  
 DORMA Door Controls Pte. Ltd.  
 Phone +852 25034632  
 www.dorma.com.sg

China  
 DORMA Door Controls (Suzhou)  
 Co. Ltd.  
 Phone +86 512 676 12481  
 www.dorma.com.sg

Taiwan  
 DORMA Door Controls Pte. Ltd.  
 Phone +886 2 9182987  
 www.dorma.com.sg

Malaysia  
 DORMA Emerald Entrance Systems  
 Pte Ltd  
 Phone +65 459 5733  
 www.dorma.com.sg

Indonesia  
 DORMA Emerald Entrance Systems  
 Pte Ltd  
 Phone +65 459 5733  
 www.dorma.com.sg

South Korea  
 DORMA Emerald Entrance Systems  
 Pte Ltd  
 Phone +65 459 5733  
 www.dorma.com.sg

Philippines  
 DORMA Door Controls Pte. Ltd.  
 Phone +632 893 40778  
 www.dorma.com.sg

Vietnam  
 DORMA Emerald Entrance Systems  
 Pte Ltd  
 Phone +65 459 5733  
 www.dorma.com.sg

Japan  
 DORMA Emerald Entrance Systems  
 Pte Ltd  
 Phone +65 459 5733  
 www.dorma.com.sg

Region France  
 F  
 France  
 DORMA Accueil S. A. S.  
 Phone +33 4 79348924  
 www.dorma.fr

Region Gulf  
 Saudi Arabia, Bahrain, Kuwait,  
 Egypt, Syria, Jordan, Lebanon, Iran  
 DORMA ARABIA  
 Automatic Doors Ltd.  
 Kingdom of Saudi Arabia  
 Phone +966 3 847 2394  
 www.dorma.com

United Arab Emirates, Oman, Qatar  
 DORMA Middle East LLC  
 Dubai  
 Phone +971 4 282 4424  
 www.dorma.com

Region North America  
 USA, CDN, MEX  
 USA  
 DORMA Automatics Inc.  
 Phone +1 301 390-3600  
 www.dorma-usa.com

Canada  
 DORMA Door Controls  
 Phone +1 905 6701281  
 www.dorma.com

Mexico  
 DORMA México, S. de R.L. de C.V.  
 Phone +52 55 5272 6937  
 www.dorma.com

Region Scanbalt  
 N, S, DK, FIN, LV, EST, LT  
 Norway  
 DORMA Norge A/S  
 Phone +47 23 176800  
 www.dorma.no

Sweden  
 DORMA Sverige AB  
 Phone +46 31 289520  
 www.dorma.se

Denmark  
 DORMA Danmark A/S  
 Phone +45 44 543000  
 www.dorma.dk

Finland  
 DORMA Finland Oy  
 Phone +358 9 8789130  
 www.dorma.fi

Latvia  
 DORMA Finland Oy  
 Phone +358 9 8789130  
 www.dorma.fi

Estonia  
 DORMA Representation Estonia  
 Phone +372 6707064  
 www.dorma.com

Lithuania  
 DORMA Norge AS  
 Phone +47 23 176800  
 www.dorma.com

### Region South America

BR, RA  
 Brazil  
 DORMA Sistemas de Controles  
 Phone +55 11 41913244  
 www.dorma.com.br

Argentina  
 DORMA Sistemas de  
 Controles para Portas Ltda  
 Phone +54 11 45051032  
 www.dorma.com

### Region South-East Europe

A, H, CZ, CS, HR, SLO, RO  
 Austria  
 DORMA AKS Automatic GmbH  
 Phone +43 6225 8636-0  
 www.dorma.at

Hungary  
 DORMA AKS Automatic GmbH  
 Phone +36 1 2065127 or 2058058  
 www.dorma.com

Czech Republic  
 DORMA dverni technika CR, s.r.o.  
 Phone +420 2 671321-78 or -79  
 www.dorma.com

Slovakia  
 DORMA Slovensko spol. s.r.o.  
 Phone +421 2 50221 283  
 www.dorma.com

Croatia  
 DORMA URED  
 Phone +385 1 3498 422  
 www.dorma.com

Slovenia  
 DORMA Representation Slovenia  
 Phone +386 2 5 30 20 10  
 www.dorma.com

Romania  
 DORMA S.R.L. Romania  
 Phone +40 31 806 916 0  
 www.dorma.com

### Region South Europe

I, E, P  
 Italy  
 DORMA Italiana S.r.l.  
 Phone: +39 039 244031  
 www.dorma.it

Spain  
 DORMA Ibérica, S.A.  
 Phone +34 91 8757851  
 www.dorma.es

Portugal  
 DORMA Portugal para Portas, Lda.  
 Phone +351 252 860 490  
 www.dorma.com

### Region UK/Ireland

GB, IRL  
 Great Britain  
 DORMA UK Limited  
 Phone +44 1462 477600  
 www.dorma-uk.co.uk

Ireland  
 DORMA Ireland Limited  
 Phone +353 1 295 8280  
 www.dorma.com

[www.dorma.com](http://www.dorma.com)



Door Control



Automatic



Glass Fittings and Accessories



Security/Time and Access (STA)



Movable Walls